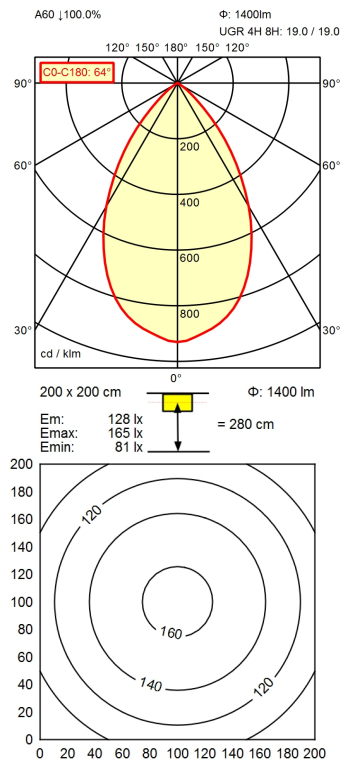


CE



Light source

Work equipment

Connected load

Power consumption

Standby

Power factor

Luminous flux

Luminous efficiency ¹⁾

Light type/-color

Colour temperatur

Color rendering index

Light distribution

Beam angle

Chromaticity tolerance LED

Glare control

Luminance (L65)

UGR class (4H 8H; EN 12464-1)

System of protection/Class ²⁾

Technology

Operation

Housing

Mains lead

Design

Fastening

EAN

Weight without/incl. packaging

Packaging dimensions

Special features

LED

Electronic ballast

220 - 240 V; 50 Hz; 60 Hz

ca. 14 W

ca. 0,2 W

env. 0,9

approx. 1.400 lm

approx. 100 lm/W

Cold white

approx. 4.000 K

CRI ≥ 80

Direct; approx. 100 %

64°

< 3 SDCM

Prism aperture

≤ 2.100 cd/m²

≤ 19

IP 20; 22; II

Switchable

External

Sheet metal; White

ca. 0,35 m; Connector

Integrated version

Tension spring

4013330041304

ca. 0,7 kg; 0,9 kg

ca. 210 mm; 230 mm; 130 mm

Flicker-free; As supplement for room depths and walking areas; Suitable as emergency lighting; Ceiling installation without tools by means of tension springs; Low installation depth thanks to external ballast; Strain relief with the possibility of through-wiring

¹⁾ For luminaires with separate control gear, the luminous efficacy refers to the luminaire head without control gear
²⁾ Higher degree of protection when installed.