

Accessories

NET Modul

DALI Real-Time Controller - 209990019-00696292

Waldmann **W**

ENGINEER OF LIGHT.



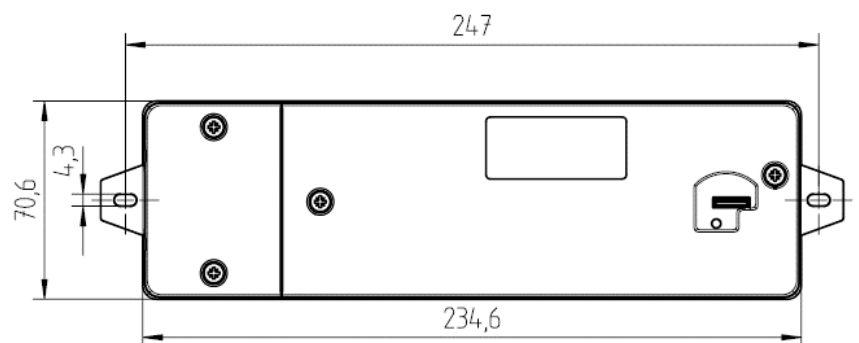
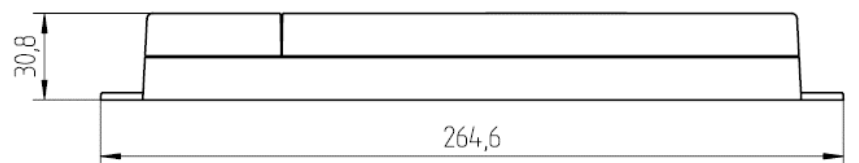
Input voltage	100 – 240 V AC
Frequency range	50/60 Hz
Power consumption	max. 5 W
Protection class	II
Degree of protection	IP 20
Operating mode	Continuous operation

Ambient temperature in operation	0°C...45°C
---	------------

Technical safety test	EN 61347-2-11
------------------------------	---------------

Special features	A real-time clock is integrated in the NET module. A lithium battery ensures that the clock continues to run and all data is retained even if the mains voltage fails. As a basis for the time change (summer time/winter time), a calendar up to the year 2060 is stored.
-------------------------	--

Compatibility	The NET module is compatible with all luminaires whose drivers comply with the DALI standard according to IEC 62386 Device Type 6.
----------------------	--



[mm]

Subject to technical modifications. Figures may vary from the original.

<http://www.waldmann.com>

Values can differ as a result of dimensional tolerances

© 02.2018 H. Waldmann GmbH & Co. KG